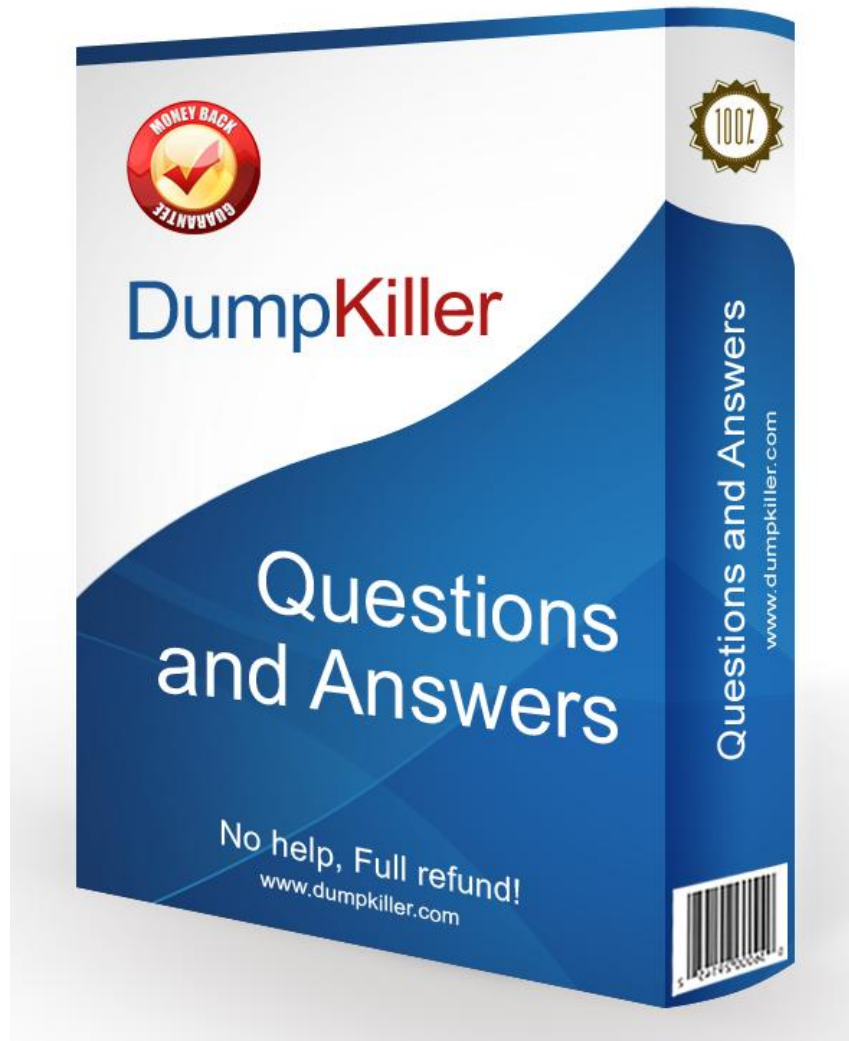


DumpKiller

Latest IT Exam Questions & Answers



<http://www.dumpkiller.com>

No help, Full refund!

Exam : **642-996**

Title : Designing Cisco Data Center
Unified Fabric

Vendor : Cisco

Version : DEMO

NO.1 A data center network requires an access control mechanism to prevent unauthorized access at the access layer and to provide path confidentiality services.

Which Cisco Nexus 7000 feature can be used?

- A. AAA
- B. NAC
- C. 802.1X
- D. Cisco TrustSec

Answer: D

NO.2 The classical access layer has its limitations due to a high value in which of the following items?

- A. oversubscription
- B. jitter
- C. cost
- D. 10 Gigabit Ethernet links

Answer: A

NO.3 Which of the following techniques should be used to mitigate DDoS attacks in the data center access layer?

- A. Reverse Path Forwarding
- B. PVLANs
- C. Dynamic ARP Inspection
- D. VACLs

Answer: C

NO.4 Why are server-to-server traffic flows routed through the aggregation layer?

- A. They are routed to provide increased fault-tolerance and smaller STP domains.
- B. They are routed because individual access modules cannot scale to large HPC deployments.
- C. Server-to-server traffic flows should never be routed through the aggregation layer.
- D. They are routed to provide load-balancing services between web and application servers.

Answer: D

NO.5 To protect the supervisor of a Cisco Nexus 7000 switch, the CoPP feature performs which two functions? (Choose two.)

- A. performs broadcast suppression
- B. drops packets with unknown sources
- C. focuses on access and authentication attacks
- D. separates data plane packets from control plane packets
- E. provides DoS protection independent from interface capabilities

Answer: D,E

NO.6 In a Cisco Unified Fabric network, where is the best data point to gather information to determine congestion?

- A. SFP+ transceiver counters
- B. PFC pause rates and buffer credit usage
- C. RSCN statistics
- D. DCB negotiation parameters
- E. SCSI acknowledgement delay

Answer: B

NO.7 You work as the network administrator at ABC.com. You are deploying a top-of-rack equipment distribution and cabling design for the company network. Which benefit results does the network get from the deployment?

- A. optimal port utilization in the rack
- B. improved cable management across racks
- C. faster convergence for Layer 2 services
- D. security and application networking at the access layer

Answer: B

NO.8 In a medium size Data Center, which three routing protocols would you use? (Choose Three.)

- A. EIGRP
- B. ISIS
- C. OSPF
- D. RIPv2
- E. HSRP

Answer: A,B,C

NO.9 Which protocol does the Data Center Bridging Capability Exchange protocol use to discover and initialize DCB-compliant devices?

- A. LLDP
- B. ETS
- C. PFC
- D. FIP
- E. TCP

Answer: A

NO.10 The Cisco Catalyst 4948 Switch supports which power supply configuration?

- A. single AC or DC power supply
- B. dual AC or DC power supplies
- C. single AC power supply only
- D. dual AC power supplies only

Answer: B

NO.11 What advantage does InfiniBand have over Gigabit Ethernet in HPC environments?

- A. more sophisticated traffic management
- B. longer distance support
- C. lower latency
- D. simpler cabling

Answer: C

NO.12 Which three protocols are effective in minimizing the use of STP in the data center design? (Choose three.)

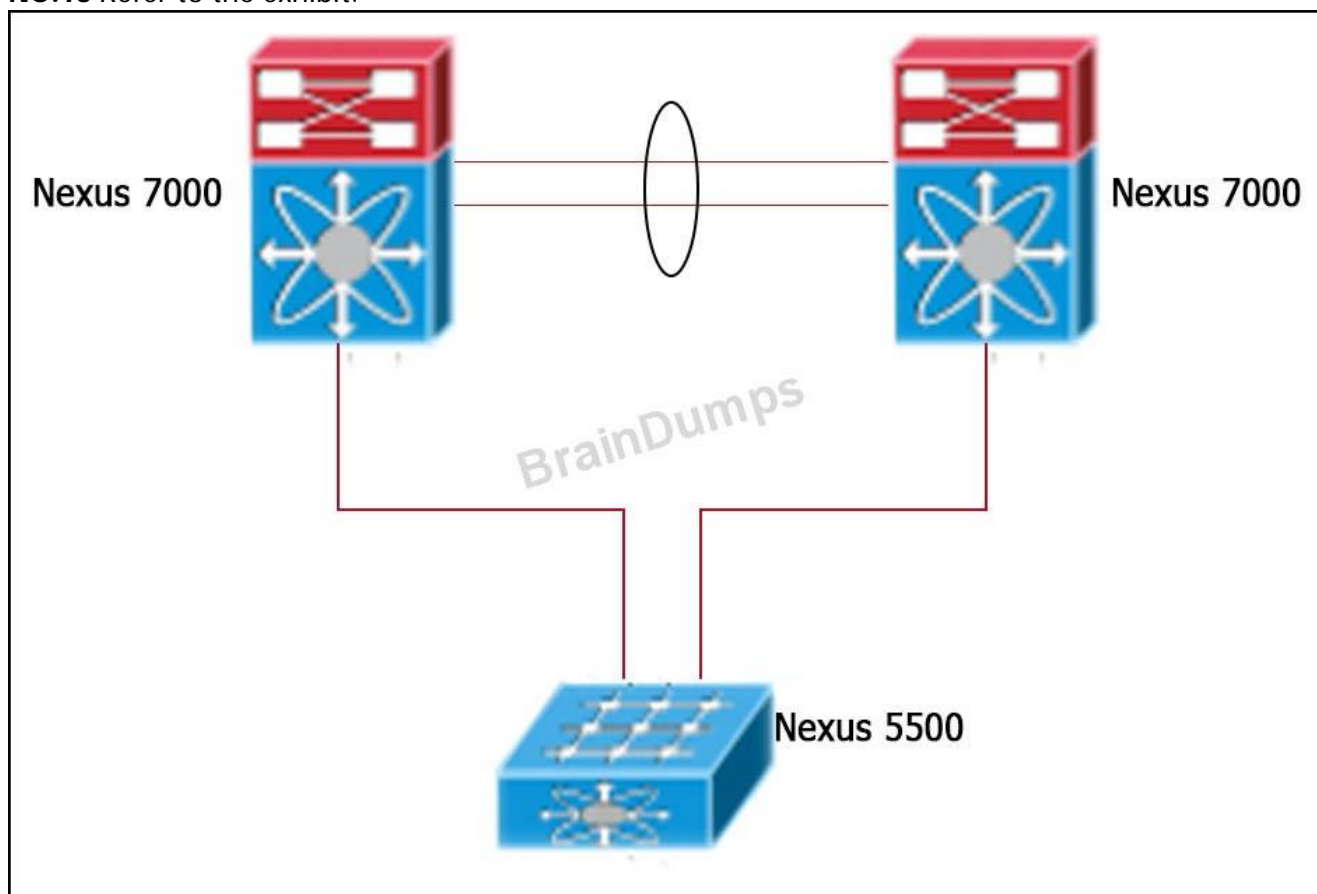
- A. FCoE
- B. vPC
- C. vDC
- D. FabricPath

E. 802.1ad

F. STP

Answer: A,B,D

NO.13 Refer to the exhibit.



You are evaluating a proposed topology design.

Which technology can you recommend to provide high availability for the topology?

A. OTV

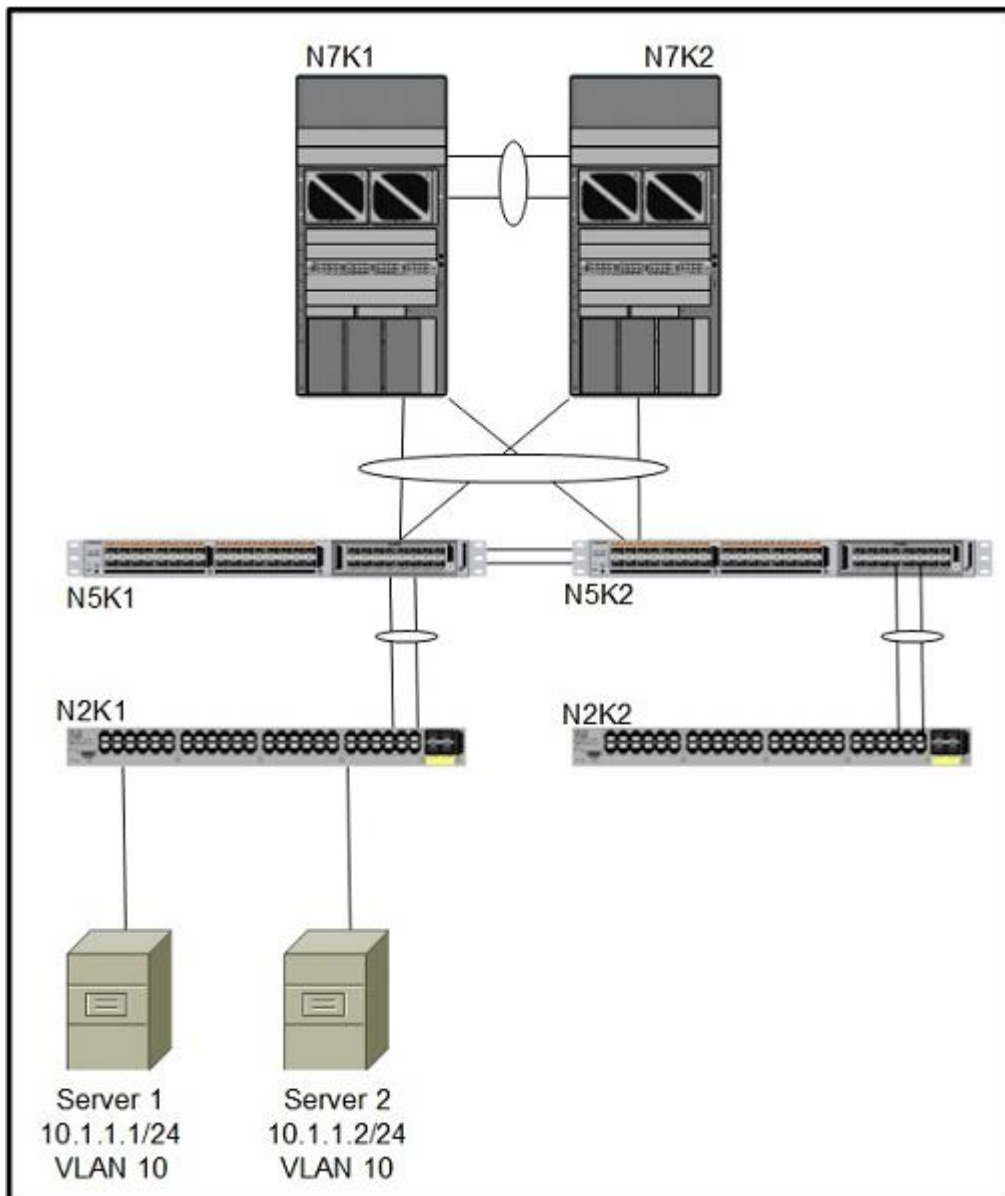
B. STP

C. LLDP

D. vPC

Answer: A

NO.14 Refer to the exhibit.



Server 1 has a significant amount of East/West communication with server 2. How will this traffic be handled?

- A. Layer 2 switched within N2K1
- B. Layer 2 switched within N5K1
- C. Layer 2 switched within N7K1
- D. Layer 3 routed within N5K1
- E. Layer 3 routed within N7K1
- F. Layer 2 switched with the vSwitch

Answer: B

NO.15 Which of the following statements describes the data center core?

- A. Layer 2 domains should be limited to point-to-point.
- B. Layer 2 should not be used in the core layer.
- C. Layer 2 provides faster convergence than Layer 3.
- D. Layer 2 STP path blocking should always be used.

Answer: A

NO.16 Used in combination with DHCP snooping, which feature helps prevent spoofing attacks in the data center access layer?

- A. RPF
- B. port security
- C. IP TrustSec
- D. Dynamic ARP Inspection

Answer: D

NO.17 Access layer switches are located as which type of design to provide network connectivity to servers that are installed in rack?

- A. ToR design
- B. MoR design
- C. EoR design
- D. ILR

Answer: A

NO.18 Your customer plans to deploy FWSM and IDS/IPS modules in the aggregation layer. Which design should you avoid?

- A. InfiniBand
- B. Layer 3
- C. Layer 2 loop-free
- D. Layer 2 looped square
- E. Layer 2 looped triangle

Answer: B

NO.19 Which tool, previously known as Cisco Fabric Manager, would you use in a data center to help manage unified fabrics with SAN connectivity?

- A. Cisco ANM
- B. Flexible NetFlow
- C. Cisco Prime LMS
- D. Cisco Prime DCNM for LAN
- E. Cisco Prime DCNM for SAN
- F. Cisco VNMC

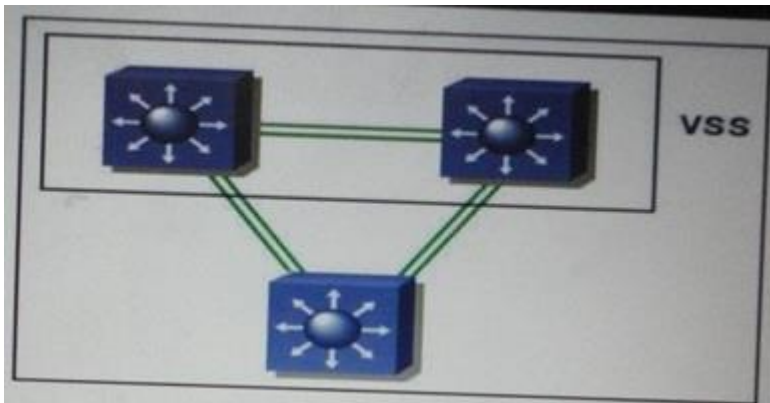
Answer: E

NO.20 Which three options are features of the Cisco Prime Data Center Network Manager? (Choose three.)

- A. SAN inventory
- B. security rules and objects views
- C. device groups and scoping
- D. HTTPS connections to devices
- E. authentication services
- F. inventory and performance views

Answer: B,C,E

NO.21 Refer to the exhibit.



Which mechanism is preferred for traffic load balancing in this topology, when fast convergence is the design priority?

- A. Spanning Tree Protocol
- B. Layer 3 Equal-Cost Multipath
- C. Multichassis EtherChannel
- D. Hot Standby Routing Protocol

Answer: C

NO.22 Which two options are reasons to use Layer 3 routing to segment a data center instead of Layer 2 switching? (Choose two)

- A. limit the scope of Spanning Tree Protocol
- B. simplify design
- C. ease of routing protocol configuration
- D. limit the scope of broadcast flooding
- E. cost

Answer: C,D

NO.23 Which two devices would you recommend to implement at the EoR in your data center design for access layer connectivity? (Choose two.)

- A. Cisco Nexus 2000 Series
- B. Cisco Nexus 7000 Series
- C. Cisco Nexus 4000 Series
- D. Cisco Nexus 5500 Series
- E. Cisco Nexus 3000 Series

Answer: B,D

NO.24 Which two solutions scale up to 1.4-Tb/s system bandwidth capacity? (Choose two.)

- A. Cisco Nexus 7010
- B. Cisco Catalyst 6500 VSS 1440
- C. VSS-aggregated Nexus 7010
- D. Cisco Nexus 7000

Answer: A,B

NO.25 Which of the following is true with respect to Cisco Adapter FEX?

- A. Cisco Adapter FEX extends the Cisco FEX technology into a traditional rack servers MoR design.
- B. An EoR design is not permitted with Cisco Adapter FEX.
- C. Cisco Adapter FEX extends VDCs across multiple Cisco Nexus switches.

D. A ToR design is not permitted with Cisco Adapter FEX.

Answer: A